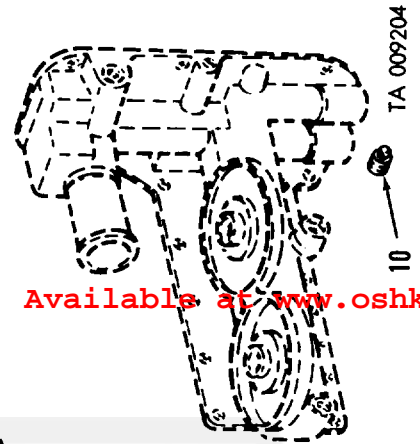


| (1) SMR Code | (2) Federal Stock Number | (3) Description | (4) Unit of Meas. | (5) Inc In | (6) Maintenance alw | (7) Illustration | (a) Figure No. | (b) Item No. |
|------------------------------|-----------------------------------|---|----------------------------|------------------|---------------------------|---------------------|----------------------|--------------------|
| Reference number & mfg. code | | | Usable on code | (a) 1-5 | (b) 6-20 | (c) 21-50 | (d) 51-100 | |
| | | 0106-ENGINE LUBRICATION SYSTEM-CONTINUED | | | | | | |
| XAOZZ | | FILTER BODY: FLUID, OIL FILTER 10951015 (19207) | | 1 | | | | 15 5 |
| PAOZZ | 2815-924-6118 | SPRING, OIL FILTER: 10951016 (19207) | EA | 1 | * | * | * | 15 6 |
| XAOZZ | | CUP: FLUID FILTER 10951017 (19207) | | 1 | | | | 15 7 |
| KFOZZ | | FILTER ELEMENT, FLUID: 8748329 (19207) | EA | 1 | (See Kit 2940-884-4801) | | | 15 8 |
| KFOZZ | | GASKET: FLUID FILTER 7748870 (19207) | EA | 1 | (See Kit 2940-884-4801) | | | 15 9 |
| PAOZZ | 4730-221-2139 | PLUG, PIPE: 1/2 IN. NPT, OIL COOLER AND FILTER HOUSING DRAIN AB MS20913-4S (96906) | EA | 1 | * | * | * | 15 10 |
| PAOZZ | 5305-021-2320 | SCREW, CAP, HEXAGON HEAD: BYPASS FILTER COVER 365SB19 (76040) | EA | 1 | * | * | * | 16 1 |
| PAOZZ | 5310-297-6078 | GASKET: BYPASS FILTER COVER SCREW 123SB16 (76040) | EA | 1 | * | * | * | 16 2 |
| XBOZZ | | COVER: BYPASS FILTER 3076-5241 (76040) | EA | 1 | | | | 16 3 |
| XBOZZ | | SPRING: BYPASS FILTER COVER 362SB23 (76040) | EA | 1 | | | | 16 4 |
| PAOZZ | 2940-141-9026 | FILTER ELEMENT, FLUID: WITH WASHER (OIL BYPASS) MS35345-1 (96906) | EA | 1 | * | * | * | 16 5 |
| PAOZZ | 5330-599-1285 | GASKET: BYPASS FILTER COVER MS35347-1 (96906) | EA | 1 | * | * | * | 16 6 |
| PAOZZ | 4710-890-2567 | TUBE, BYPASS: FILTER CENTER 381SB17 (819619) | EA | 1 | * | * | * | 16 7 |
| XBOZZ | | SCREW: CENTER HOLDDOWN 28SB11 (76040) | EA | 1 | | | | 16 8 |
| XBOZZ | | PLATE: BYPASS FILTER HOLDDOWN 305SB11 (76040) | EA | 1 | | | | 16 9 |
| PAOZZ | 4730-890-2370 | PLUG, OIL DRAIN: BYPASS FILTER CASE 63AX4 (89619) | EA | 1 | * | * | * | 16 10 |
| PAOZZ | 5330-202-3713 | GASKET: BYPASS FILTER CASE TO BASE (COMPONENT OF GASKET SET, FSN 2815-890-6248) MS35347-2 (96906) | EA | 1 | * | * | * | 16 11 |
| PAOZZ | | PLUG: 1/4-INCH MOUNTING BASE 63AX45 (76040) | EA | 1 | * | * | * | 16 12 |
| PAOZZ | | PLUG: 1/8-INCH MOUNTING BASE 63AX3 (76040) | EA | 1 | * | * | * | 16 13 |
| PAOZZ | 4730-890-2369 | PLUG: OIL DRAIN MOUNTING BASE 226GB117A (89619) | EA | 2 | * | * | * | 16 14 |



Current part is item (8) on diagram. Available at www.oshkoshequipm

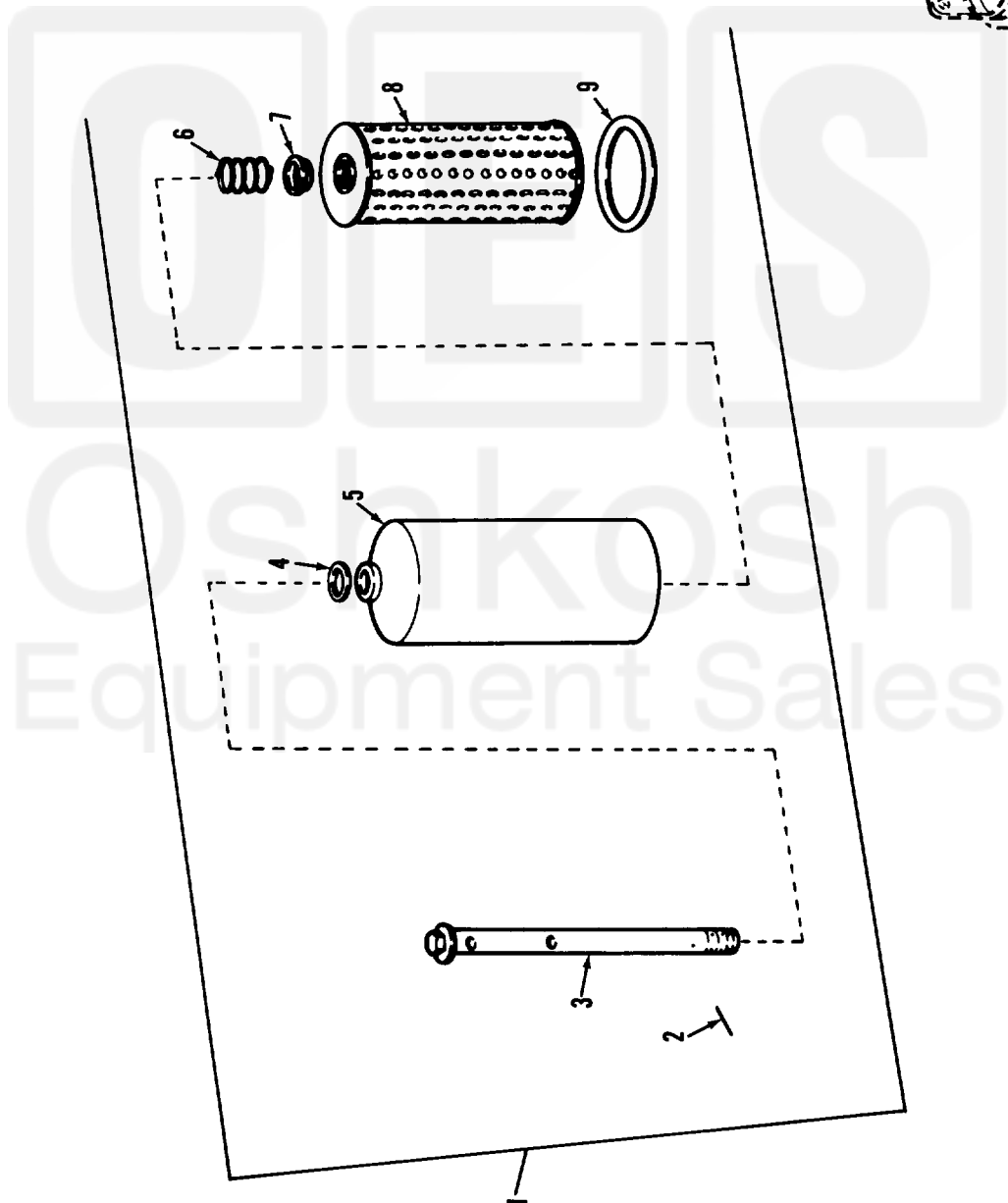


Figure 15. Oil filter and oil cooler with related parts—multifuel.

Current part is item (8) on diagram. Available at www.oshkoshequipm